

CONFIDENTIAL



UNIVERSITI TUN HUSSEIN ONN MALAYSIA

**FINAL EXAMINATION
SEMESTER II
SESSION 2023/2024**

COURSE NAME : INTELLIGENT DESIGN AND
MANUFACTURING

COURSE CODE : BBM 40902

PROGRAMME CODE : BBA

EXAMINATION DATE : JULY 2024

DURATION : 3 HOURS

INSTRUCTIONS :

1. ANSWER ALL QUESTIONS
2. THIS FINAL EXAMINATION IS
CONDUCTED VIA
 - Open book
 - Closed book
3. STUDENTS ARE **PROHIBITED** TO
CONSULT THEIR OWN MATERIAL
OR ANY EXTERNAL RESOURCES
DURING THE EXAMINATION
CONDUCTED VIA CLOSED BOOK

THIS QUESTION PAPER CONSISTS OF **FOUR (4)** PAGES

CONFIDENTIAL

TERBUKA

- Q1** (a) Explain briefly and advantages of PFMEA Implementation 4.0. (10 marks)
- (b) Describe the advantages to industry of using Control plans in manufacturing process control. (10 marks)
- Q2** (a) Describe or sketch Smart Manufacturing Value Chain Networked-Based Manufacturing according to IR 4.0 implementation (10 marks)
- (b) Explain the function of each platform from the framework sketch Smart Manufacturing you created in Q2 (a). (10 marks)
- Q3** (a) Identify and select the machining processes for the part as shown in **Figure Q3(a)**. (10 marks)
- (b) Identify and select the sequences of operations for the part as shown in **Figure Q3(b)**. (10 marks)
- Q4** (a) Briefly explain **FIVE (5)** benefit of operational digital supply chain. (10 marks)
- (b) One of AR/VR application example is VR for trainer in industry. Give brief explanation for benefit of VR application in industry basis. (10 marks)
- Q5** (a) Explain **FIVE (5)** Benefit of using cloud computing. (10 marks)
- (b) There are several International Entry Options for Horizontal Growth such as acquisition and profit sharing. Explain the differences. (10 marks)

-END OF QUESTIONS -

FINAL EXAMINATION

SEMESTER / SESSION : SEM 2 / 2023/2024
COURSE NAME: INTELLIGENT DESIGN AND
MANUFACTURING

PROGRAMME CODE: BBA
COURSE CODE: BBM 40902

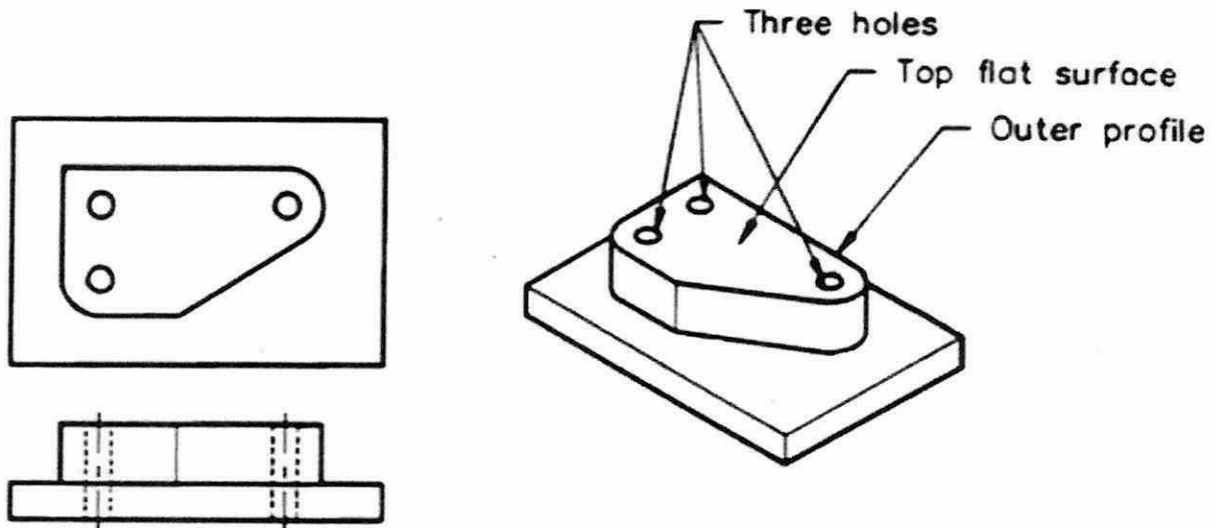


Figure Q3 (a)

FINAL EXAMINATION

SEMESTER / SESSION : SEM 2 / 2023/2024
COURSE NAME: INTELLIGENT DESIGN AND
MANUFACTURING

PROGRAMME CODE: BBA
COURSE CODE: BBM 40902

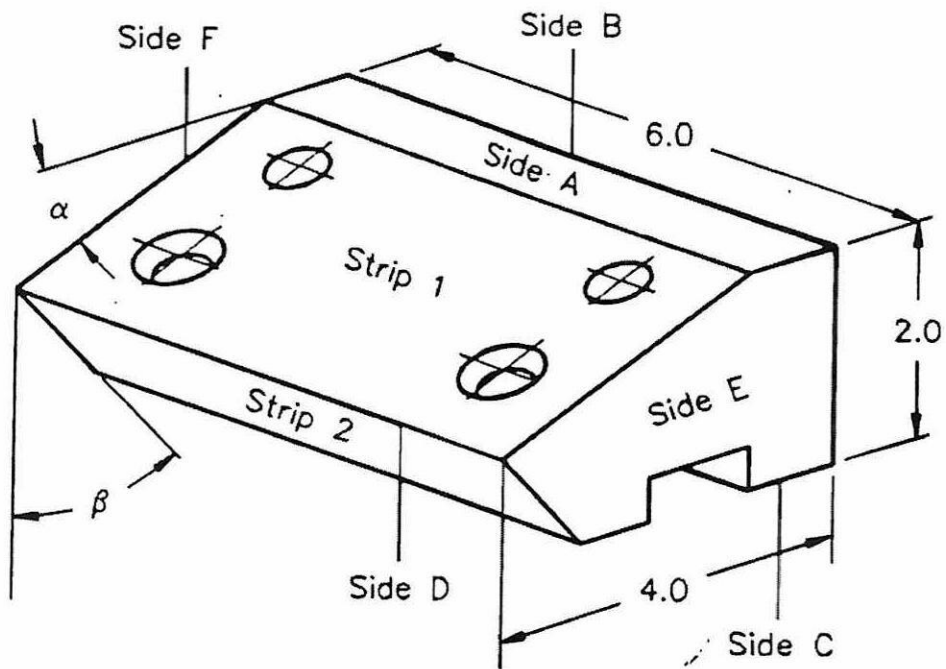


Figure Q3(b)